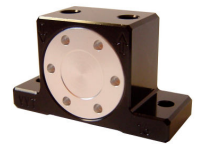


PNEUMATIC TURBINE VIBRATORS



VVT PNEUMATIC TURBINE VIBRATORS



DESCRIPTION

Pneumatic turbine vibrators produce rotary vibrations. Vibrations are produced by the rotation of an eccentric mass turbine. The external body and the covers are made of aluminum. VVT vibrators are characterized by high amplitude vibrations.

OPERATING CONDITIONS

Filtered ($\leq 5\mu\text{m}$) and dehumidified compressed air is required. The pressure must be between 2[bar] and 6[bar]. Lubricated air mustn't be used.

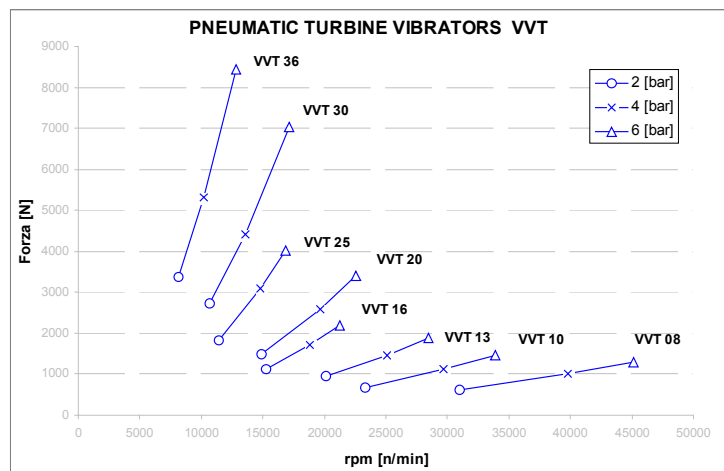
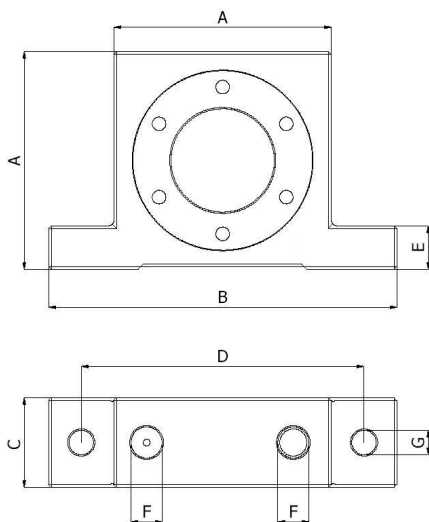
APPLICATIONS

VVT pneumatic turbine vibrators are used to empty chutes and hoppers. Applied on moulds or formworks they compact the material.

DATA	VIBRATIONS PER MINUTE			CENTRIFUGAL FORCE			AIR CONSUMPTION			NOISE LEVEL	AMBIENT TEMPERATURE	
	[n/min]			[N]			[l/min]			dB(A)	[°C]	
	2 bar	4 bar	6 bar	2 bar	4 bar	6 bar	2 bar	4 bar	6 bar	2 bar - 6 bar	min	MAX
VVT 08	31020	39780	45120	607	999	1285	50	85	120	71 - 75	-20[°C]	100[°C]
VVT 10	23280	29700	33900	686	1116	1454				72 - 75		
VVT 12	21000	27420	30600	591	1007	1254				72 - 77		
VVT 13	20152	25126	28425	944	1467	1878	130	200	295	72 - 75		
VVT 16	15280	18840	21300	1124	1708	2183				73 - 79		
VVT 19	14250	17659	19846	1031	1583	1999				73 - 79		
VVT 20	14880	19680	22560	1486	2599	3415	190	320	450	75 - 80		
VVT 25	11400	14820	16860	1836	3103	4016				76 - 82		
VVT 29	10980	14100	16200	1804	2975	3927				76 - 82		
VVT 30	10709	13603	17162	2737	4417	7030	340	545	780	76 - 85		
VVT 36	8120	10200	12860	3367	5312	8445				77 - 86		
VVT 40	7573	9561	11982	3106	4951	7776				78 - 86		

The number of vibrations per minute and the centrifugal force depend on the operating pressure and the dynamic property of the structure on which they are mounted.

The data reported in the schedule have been obtained by mounting the vibrators on a vibrating table and using a specific silencer.



DIMENSION	A	B	C	D	E	F	G	WEIGHT
	[mm]	[mm]	[mm]	[mm]	[mm]		[mm]	[kg]
VVT 08	50	86	34	68	12	G1/8	7	0,3
VVT 10								0,3
VVT 12								0,3
VVT 13	65	113	42	90	16	G1/4	9	0,6
VVT 16								0,6
VVT 19								0,7
VVT 20	80	128	56	104	16	G1/4	9	1,2
VVT 25								1,2
VVT 29								1,3
VVT 30	100	160	75	140	20	G3/8	13	2,3
VVT 36								2,4
VVT 40								2,5

We reserve the right to modify specifications or products without any obligation.



VIBRONORD srl
Viale Delle Industrie 13/15
20044 BERNAREGGIO (MB) ITALY

TEL +039 039 6800139
e-mail vibronord@vibronord.com
www.vibronord.com