

PNEUMATIC ROLLER VIBRATORS



VVR PNEUMATIC ROLLER VIBRATORS



DESCRIPTION

Pneumatic roller vibrators produce rotary vibrations. Vibrations are produced by the motion of a roller along two steel tracks. The two covers are made of bronze. VVR vibrators are characterized by a high number of vibrations per minute and a high centrifugal force.

OPERATING CONDITIONS

Filtered ($\leq 5\mu\text{m}$), lubricated and dehumidified compressed air is required. The pressure must be between 2[bar] and 6[bar].

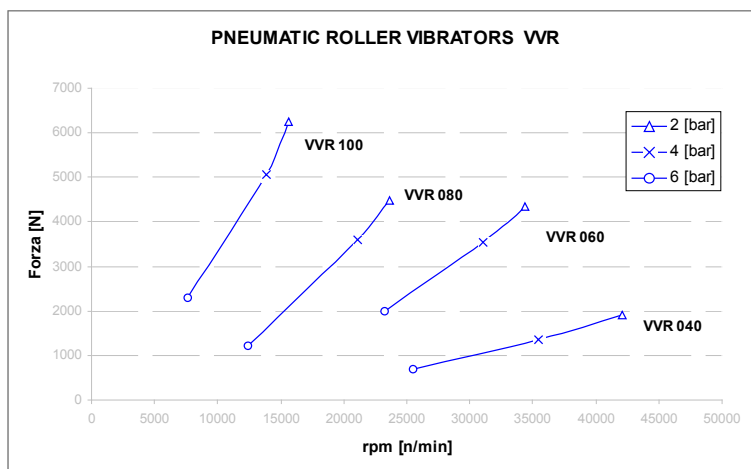
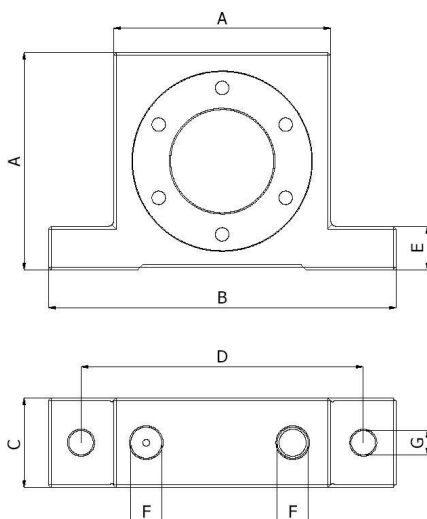
APPLICATIONS

VVR pneumatic roller vibrators are used by empty chutes, hoppers and vibrating sieves. Applied on moulds or formworks they compact the material.

DATA	VIBRATIONS PER MINUTE			CENTRIFUGAL FORCE			AIR CONSUMPTION			NOISE LEVEL	AMBIENT TEMPERATURE	
	[n/min]			[N]			[l/min]			dB(A)	min	MAX
	2 bar	4 bar	6 bar	2 bar	4 bar	6 bar	2 bar	4 bar	6 bar	2 bar - 6 bar		
VVR 040	25440	35460	42060	698	1356	1908	80	145	210	76 - 88	-20 [°C]	100 [°C]
VVR 060	23220	31020	34380	1980	3533	4340	105	200	290	78 - 91		
VVR 080	12360	21120	23640	1227	3584	4490	130	255	365	78 - 96		
VVR 100	9800	14580	16200	2286	5060	6247	140	280	395	80 - 99		

The number of vibrations per minute and the centrifugal force depend on the operating pressure and the dynamic property of the structure on which they are mounted.

The data reported in the schedule have been obtained by mounting the vibrators on a vibrating table, using lubricated air and with a specific silencer.



DIMENSION	A	B	C	D	E	F	G	WEIGHT
	[mm]	[mm]	[mm]	[mm]	[mm]		[mm]	[kg]
VVR 040	50	86	29	68	12	G1/8	7	0,4
VVR 060	65	113	34	90	16	G1/4	9	0,7
VVR 080	80	128	37	104	16	G1/4	11	1,2
VVR 100	100	160	48	130	20	G3/8	13	2,3

We reserve the right to modify specifications or products without any obligation.