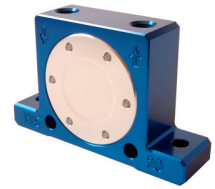


PNEUMATIC BALL VIBRATORS





DESCRIPTION

Pneumatic ball vibrators produce rotary vibrations. Vibrations are produced by the motion of a ball along two high strength steel tracks. The external body and the covers are made of aluminum. VVS vibrators are characterized by low amplitude vibrations.

OPERATING CONDITIONS

Filtered ($\leq 5\mu\text{m}$) and dehumidified compressed air is required. The pressure must be between 2[bar] and 6[bar]. Lubricated air is recommended. By using not lubricated air the vibrators life and the performance decrease.

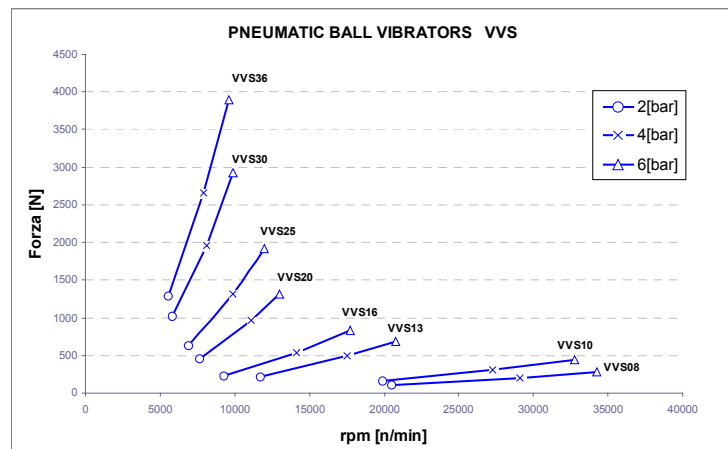
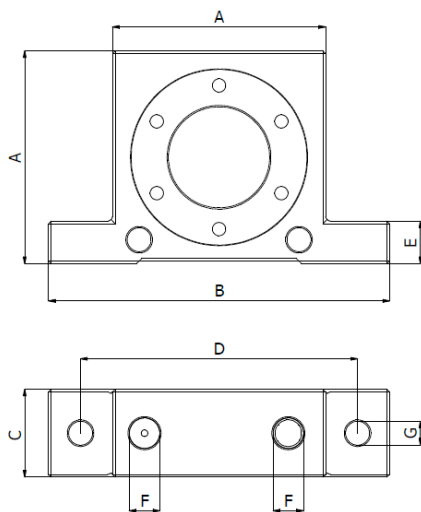
APPLICATIONS

VVS pneumatic ball vibrators are used to empty chutes and hoppers. Applied on moulds or formworks they compact the material. Cleaning filters.

DATA	VIBRATIONS PER MINUTE			CENTRIFUGAL FORCE			AIR CONSUMPTION			NOISE LEVEL	AMBIENT TEMPERATURE	
	[n/min]			[N]			[l/min]			dB(A)	min	MAX
	2 bar	4 bar	6 bar	2 bar	4 bar	6 bar	2 bar	4 bar	6 bar	2 bar - 6 bar	-20 [°C]	100 [°C]
VVS 08	20520	29100	34260	101	203	281	85	150	200	75 - 84		
VVS 10	19920	27300	32760	163	307	442	90	150	205	75 - 86		
VVS 13	11700	17520	20760	219	491	689	98	165	230	76 - 88		
VVS 16	9300	14160	17700	231	537	838	115	195	270	77 - 90		
VVS 20	7680	11100	13020	460	961	1322	135	238	350	80 - 92		
VVS 25	6900	9900	12000	637	1311	1926	155	280	420	80 - 95		
VVS 30	5820	8100	9900	1014	1964	2935	210	385	580	83 - 94		
VVS 36	5520	7920	9600	1289	2654	3899	250	480	680	85 - 97		

The number of vibrations per minute and the centrifugal force depend on the operating pressure and the dynamic property of the structure on which they are mounted.

The data reported in the schedule have been obtained by mounting the vibrators on a vibrating table, using lubricated air and with a specific silencer.



DIMENSION	A	B	C	D	E	F	G	WEIGHT
	[mm]	[mm]	[mm]	[mm]	[mm]		[mm]	[kg]
VVS 08	50	86	20	68	12	G1/4	7	0,19
VVS 10	50	86	20	68	12	G1/4	7	0,19
VVS 13	65	113	24	90	16	G1/4	9	0,28
VVS 16	65	113	27	90	16	G1/4	9	0,33
VVS 20	80	128	33	104	16	G1/4	9	0,56
VVS 25	80	128	38	104	16	G1/4	9	0,68
VVS 30	100	160	45	130	20	G3/8	11	1,54
VVS 36	100	160	49	130	20	G3/8	11	1,7

We reserve the right to modify specifications or products without any obligation.